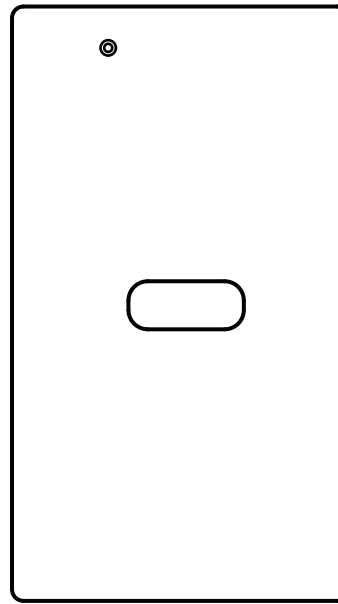
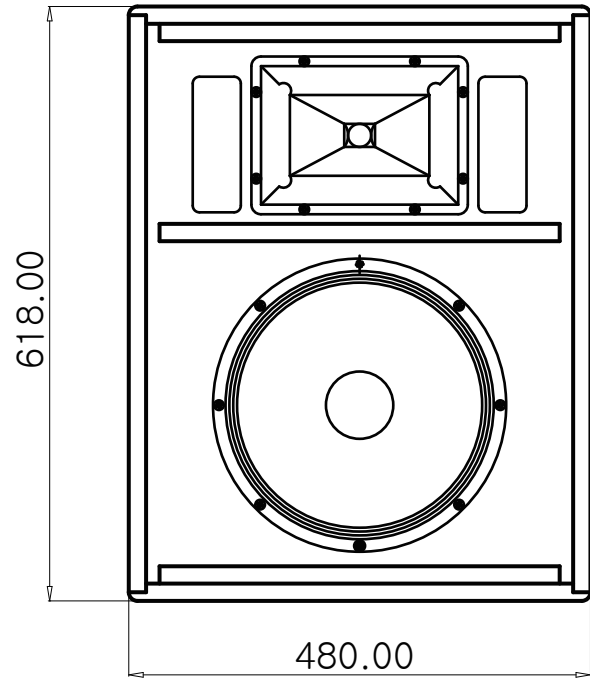
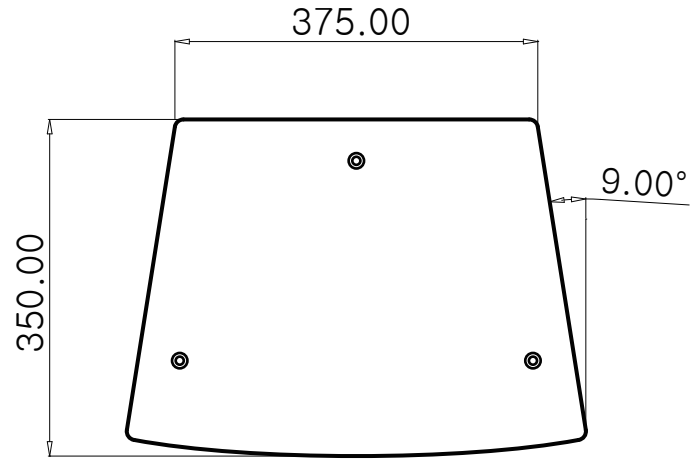


NO.	DESCRIPTION	REVISE REASON	DATE	CHECK
△				
△				
△				
△				



LAYOUT	MODEL	SP-122			
	TITLE				
	MATERIAL	FINISH/COLOR	Q'TY	SCALE	UNIT
PRODUCT			1	1:1	M/M
	P-NO		DRAWN	CHECK	APPROV
	STK -PROFESSIONAL AUDIO		YSL		